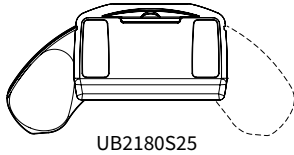


Assembly & Installation Instructions: Banana-Board Platform Mounting



UB2180S25

Parts Included

A Banana-Board Keyboard Platform
Qty: 1

Hardware Kit #AKP-HDWR-BB

B 3/8" #10-32 Keps Nuts
Qty: 4

C Cord Clips
Qty: 2

Required:

Adjustable Keyboard Arm

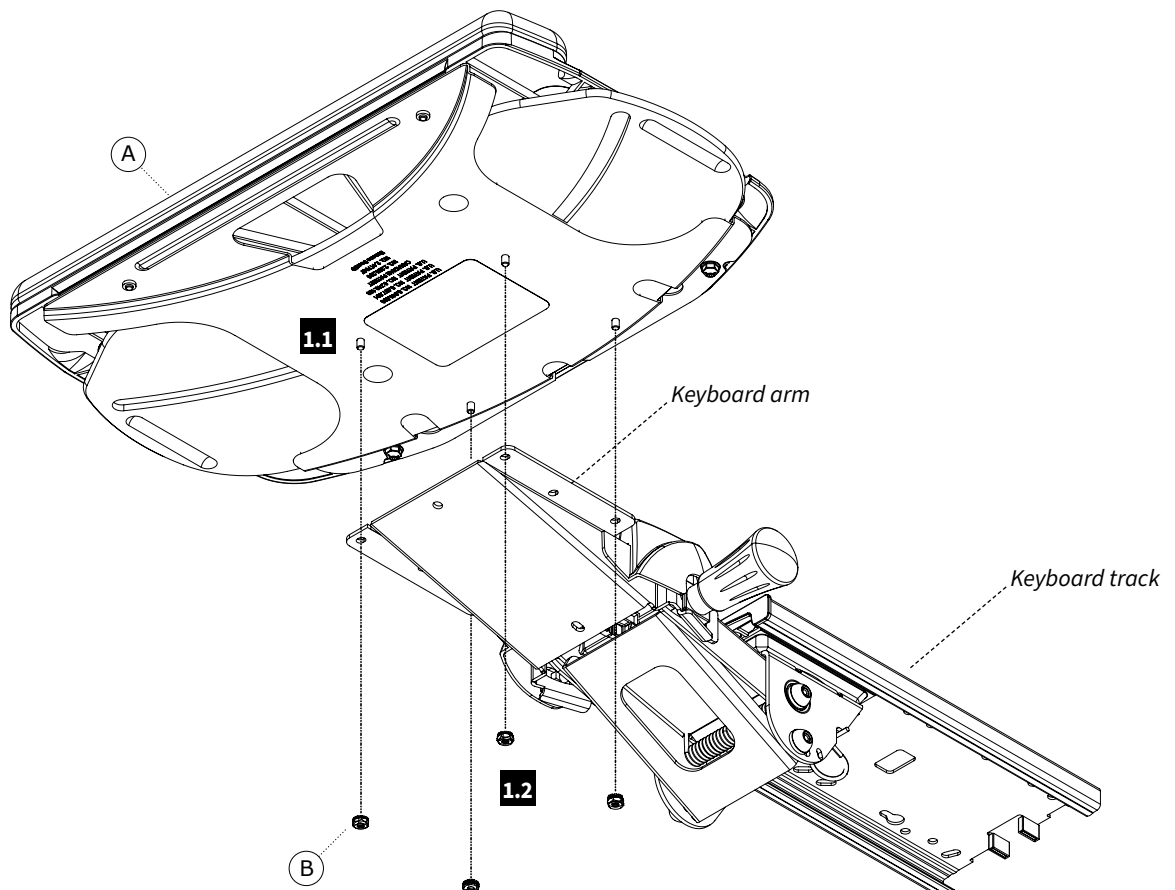
Tools Required:

Socket wrench with 3/8" socket

Note: Mount your adjustable keyboard arm to your worksurface using the instructions that came with your adjustable keyboard arm.

1 Mount Keyboard Platform to Arm

- 1.1 Align the threaded studs on the bottom of the Banana-Board (A) with the mounting holes in the keyboard arm.
- 1.2 Attach with four 3/8" #10-32 Keps Nuts(B) and tighten securely.



2 Attach Cord Clips and Rout Cords on Arm & Under Worksurface

Note: Make sure your keyboard arm is fully extended before routing your cables.

Place one Cord Clip (C) on the side of the arm mechanism. Place the other Cord Clip on the rear of the track. Do the opposite side in the same fashion if cords run down the left side.

